



Vestil Manufacturing Co.

2999 North Wayne Street, P.O. Box 507, Angola, IN 46703
 Telephone: (260) 665-7586 -or- Toll Free (800) 348-0868
 Fax: (260) 665-1339
 www.vestilmfg.com e-mail: sales@vestil.com

CYL-2-FP & CYL-2-FP-FF Welding Cylinder Torch Carts
 Instruction Manual



After delivery, immediately remove the packaging from the product in a manner that preserves the packaging and maintains the orientation of the product in the packaging; then inspect the product closely to determine whether it sustained damage during transport. **If damage is discovered during the inspection, immediately record a complete description of the damage on the bill of lading.** If the product is undamaged, discard the packaging.

NOTES:

- 1) Compliance with laws, regulations, codes, and non-voluntary standards enforced in the location where the product is *used* is exclusively the responsibility of the owner/end-user.
- 2) Vestil is **not liable** for any injury or property damage that occurs as a consequence of failing to apply either: a) the instructions in this manual; or b) information provided on labels affixed to the product. Neither is Vestil responsible for *any* consequential damages sustained as a result of failing to exercise sound judgment while assembling, installing, using or maintaining this product.

Table of Contents

Product Specifications.....	2
Hazard Identification: Explanation of Signal Words.....	2
Safety Guidelines.....	2
FIG. 1: CYL-2-FP exploded parts diagram & bill of materials.....	3
FIG. 2: CYL-2-FP-FF exploded parts diagram & bill of materials.....	4
Use Instructions.....	5
Inspections & Maintenance.....	6
Label Placement Diagram.....	6
Limited Warranty.....	7

PRODUCT SPECIFICATIONS

Dimensions and other product specifications of standard wrapping machine models appear in the following tables:

Model	Wheel type	Cutting torch box	Lifting eye	Fork pockets	Overall dimensions	Net weight
CYL-2-FP	Pneumatic	Yes	Yes	Yes	40 $\frac{1}{4}$ x 34 $\frac{9}{16}$ x 66 $\frac{3}{8}$	230 lb. 104.5 kg
CYL-2-FP-FF	Foam-filled	Yes	Yes	Yes	40 $\frac{1}{4}$ x 34 $\frac{9}{16}$ x 66 $\frac{3}{8}$	230 lb. 104.5 kg

HAZARD IDENTIFICATION: explanation of signal words

This manual uses SIGNAL WORDS to indicate the likelihood of personal injuries, as well as the probable seriousness of those injuries, if the product is misused in the ways described. Other signal words call attention to uses of the product likely cause property damage.

The signal words used appear below along with the meaning of each word:

⚠ DANGER Identifies a hazardous situation which, if not avoided, **WILL** result in **DEATH** or **SERIOUS INJURY**. Use of this signal word is limited to the most extreme situations.

⚠ WARNING Identifies a hazardous situation which, if not avoided, **COULD** result in **DEATH** or **SERIOUS INJURY**.

⚠ CAUTION Indicates a hazardous situation which, if not avoided, **COULD** result in **MINOR** or **MODERATE** injury.

NOTICE Identifies practices likely to result in product/property damage, such as operation that might damage the product.

Each person who assembles, installs, uses, or maintains this product should read the entire manual and fully understand the directions in advance. If after reading the manual you do not understand an instruction, ask your supervisor or employer for clarification, because failure to adhere to the directions in this manual might result in serious personal injury.

SAFETY GUIDELINES

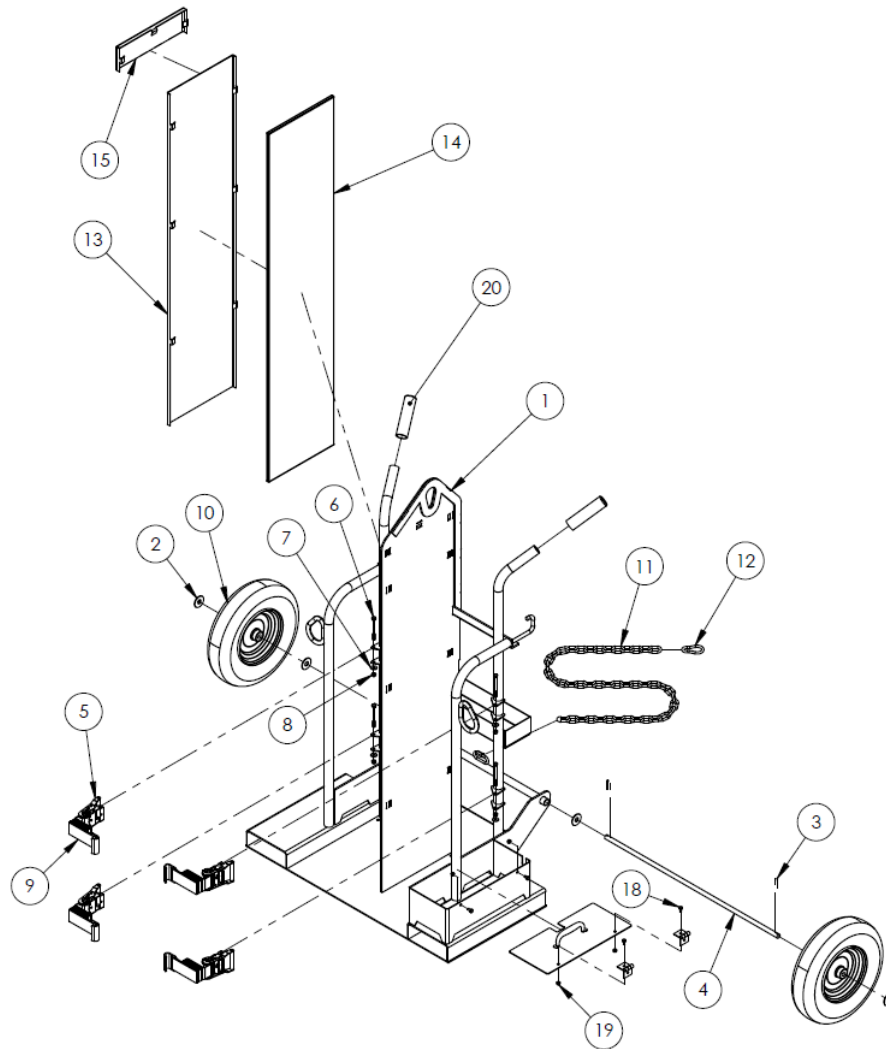
Vestil diligently strives to identify foreseeable hazards associated with the use of its products. However, no manual can address every conceivable risk. The end-user ultimately is responsible for exercising sound judgment at all times.

⚠ WARNING ***Failure to read and understand the entire manual before assembling, installing, using or servicing the product constitutes misuse.*** Read the manual to refresh your understanding of proper use and maintenance procedures. If this product is used improperly or carelessly, the operator and/or bystanders might sustain serious personal injuries or could even be killed.

- DO NOT exceed the maximum rated load.
- Inspect the dolly before each use. Remove the dolly from service if the inspection reveals damage *such as*: 1) cracked welds; 2) corrosion, extreme wear, or other condition that affects the ability of the product to support weight; 3) significantly worn or damaged wheels; 4) missing ratchet straps. DO NOT use the product until it is restored to normal condition. ONLY use manufacturer-approved replacement parts.
- DO NOT use the dolly to transport any cylinder that does not seat securely in the brackets.
- DO NOT transport a cylinder without firmly applying the ratchet straps.
- ALWAYS apply safe lifting practices whenever the dolly is connected to a lifting device (e.g. overhead hoist)
- When transporting a cylinder up-or-downhill, always remain uphill to the cylinder.
- DO NOT remove or obscure any label. All product labels must be readable and undamaged.
- DO NOT modify the dolly in any way. **Unauthorized modifications automatically void the limited warranty (see p. 7) and might make the dolly unsafe to use.**

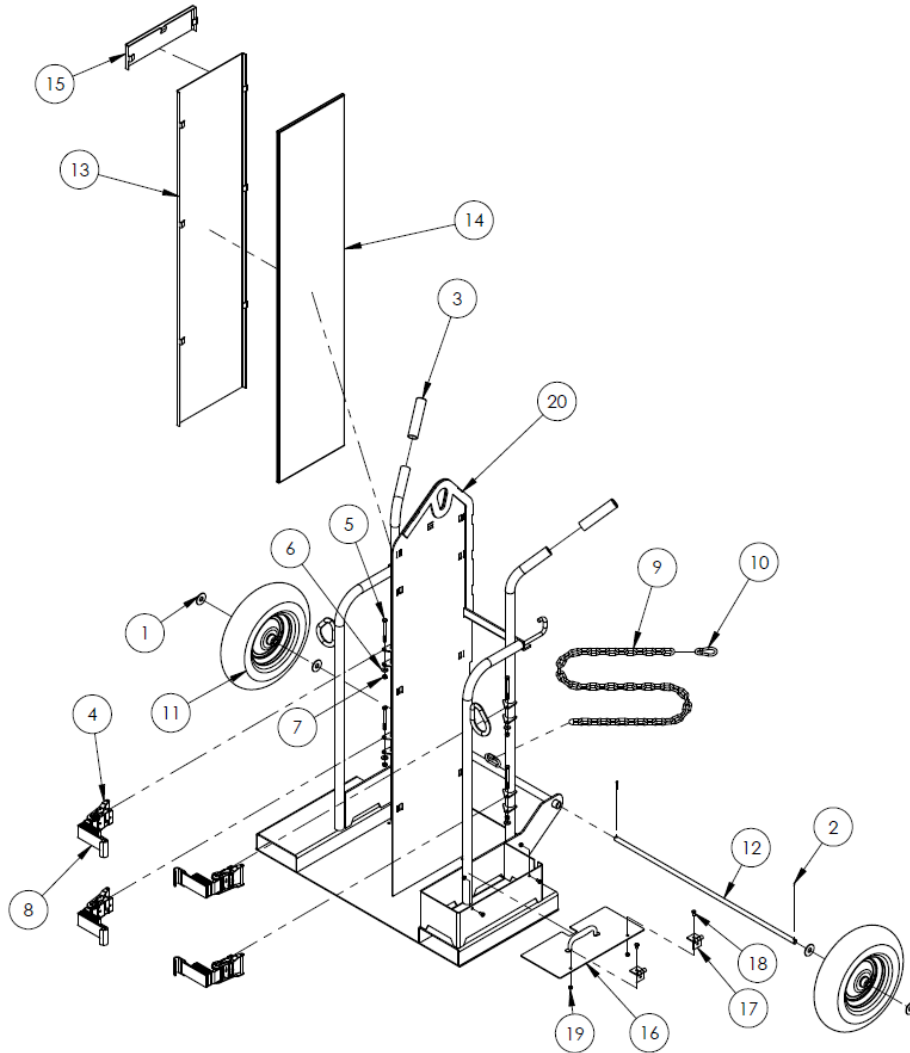
NOTICE Proper use, maintenance, and storage are essential for this product to function properly.

- Keep the product clean & dry.

FIG. 1: CYL-2-FP Exploded Parts Diagram and Bill of Materials

Item no.	Part no.	Description	Quantity
1	16-514-195	CYL-2-FP frame weldment	1
2	33016	$\frac{5}{8}$ in. USS zinc-plated flat washer	4
3	65077	$\frac{1}{8}$ in. x $1\frac{1}{4}$ in. zinc-plated cotter pin	2
4	33-112-032	Axle pin	1
5	30-001-094	Ratchet	4
6	11067	$\frac{5}{16}$ in. – 18 x $3\frac{1}{2}$ in. HHCS #2 zinc-plated bolt	4
7	33006	$\frac{5}{16}$ in. USS zinc-plated flat washer	4
8	36104	$\frac{5}{16}$ in. – 18 zinc-plated hex nut	4
9	16-145-018	36 in. ratchet strap with J hook	4
10	16-132-126	4 in. x 16 in. pneumatic tire	2
11	37-145-004	$\frac{5}{16}$ in. x 48 in. safety chain (for use when mounting dolly on forks)	1
12	0500500	Snap hook	1
13	16-014-254	Formed divider panel	1
14	16-014-259	Thermal insulation	1
15	16-014-268	Formed divider top panel	1
16	16-514-182	Lid frame weldment	1
17	16-012-004	Steel strap butt hinge	2
18	11005	$\frac{1}{4}$ in. – 20 UNC x 1 in. HHCS #2 zinc-plated bolt	4
19	37018	$\frac{1}{4}$ in. – 20 UNC zinc-plated nylock nut	4
20	07-025-005	6 in. black rubber handle	2

FIG. 2: CYL-2-FP-FF Exploded Parts Diagram and Bill of Materials

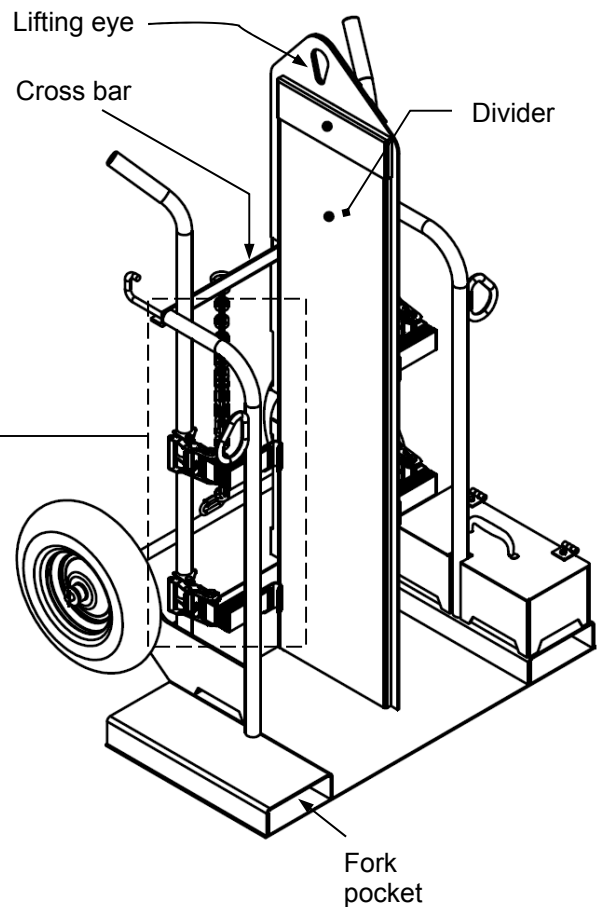
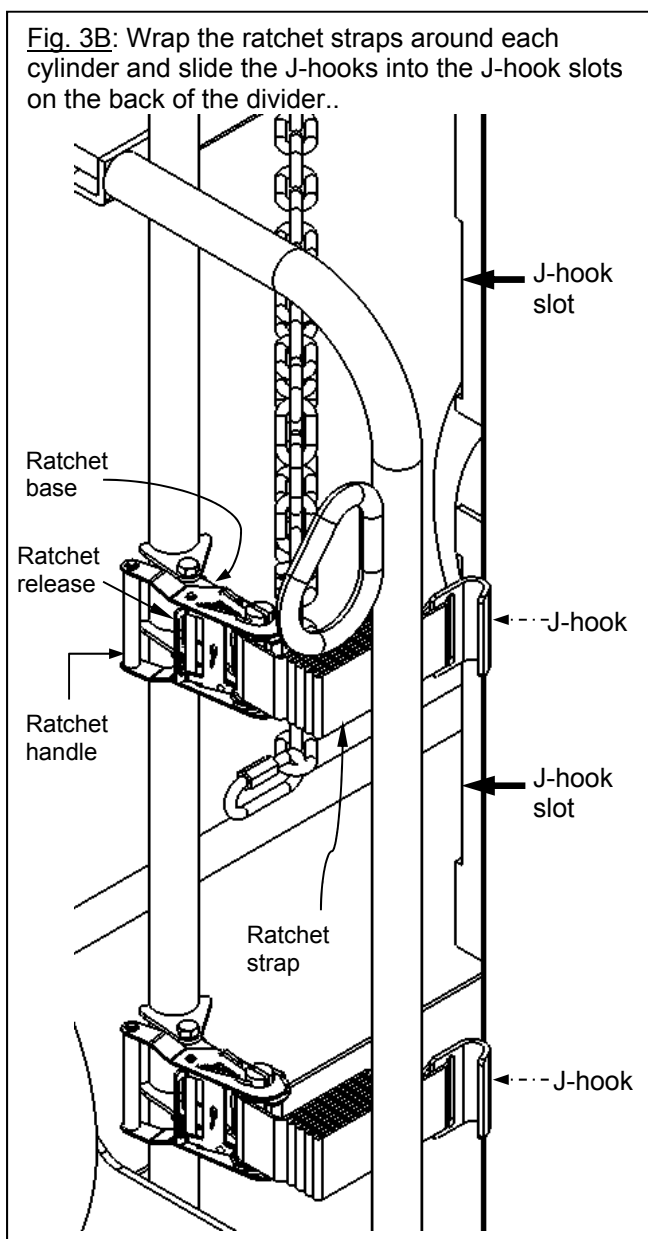


Item no.	Part no.	Description	Quantity
1	33016	$\frac{5}{8}$ in. USS zinc-plated flat washer	4
2	65077	$\frac{1}{8}$ in. x $1\frac{1}{4}$ in. zinc-plated cotter pin	2
3	40-025-008	Rubber handle grip	2
4	30-001-094	Ratchet	4
5	11067	$\frac{5}{16}$ in. – 18 x $3\frac{1}{2}$ in. HHCS #2 zinc-plated bolt	4
6	33006	$\frac{5}{16}$ in. USS zinc-plated flat washer	4
7	36104	$\frac{5}{16}$ in. – 18 zinc-plated hex nut	4
8	16-145-018	36 in. ratchet strap with J hook	4
9	37-145-004	$\frac{5}{16}$ in. x 48 in. safety chain (for use when mounting dolly on forks)	1
10	0500500	Snap hook	1
11	16-132-246	16 in. x 4 in. foam filled wheel	2
12	16-112-015	$\frac{5}{8}$ in. axle pin	1
13	16-014-254	Formed divider panel	1
14	16-014-259	Thermal insulation	1
15	16-014-268	Formed divider top panel	1
16	16-514-182	Lid frame weldment	1
17	16-012-004	Steel strap butt hinge	2
18	11005	$\frac{1}{4}$ in. – 20 UNC x 1 in. HHCS #2 zinc-plated bolt	4
19	37018	$\frac{1}{4}$ in. – 20 UNC zinc-plated nylock nut	4
20	16-514-195	Divider frame weldment	1

Use Instructions:

1. Place the cylinder on the cart. Position the cylinder so that it rests firmly against the crossbars.
2. Release the ratchet to extend the strap, if necessary. To release the ratchet, pull the release lever toward the handle and pivot the ratchet handle as far from the ratchet base as it will travel (approximately 180 degrees). By pulling on the strap now, it will unwind from the spindle and increase the usable length. Ratchet parts are identified in Fig. 3B below.
3. Wrap the ratchet straps around the cylinder and connect to the J-hook to the J-hook slots of the divider (see Fig. 3B).
4. Pivot the handle back towards the base and let go of the release lever.
5. Tighten the strap against the cylinder by moving the handle towards and away from the base.
6. To remove a cylinder from the cart, release strap tension by following the procedure described in step 2 (above).

FIG. 3A: Cylinder dolly



Inspections and Maintenance:

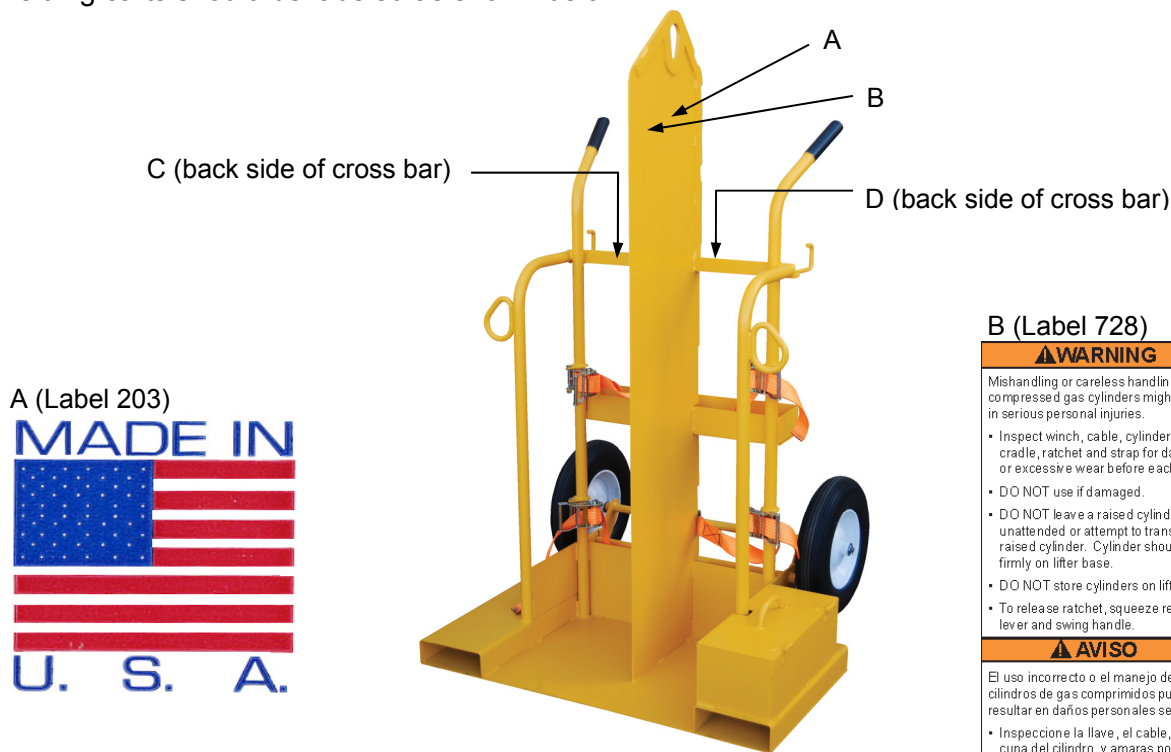
⚠ WARNING DO NOT use the wrapping machine until all problems discovered during an inspection have been resolved.

Inspect the dolly periodically (at least once per month) to confirm normal condition. If the inspection reveals problems, do not use the dolly until it is restored to normal condition.

- Examine the dolly for cracked welds, metal fatigue, rust, and corrosion that affects the structural integrity of the dolly. The structure should be clean, square and rigid, and free of rust and corrosion. Remove dirt and debris.
- Inspect the fork pockets. Each pocket should be square, rigid and structurally sound.
- Check the ratchets and ratchet straps. Confirm normal operation and condition. Replace damaged straps and ratchets.
- Inspect the lifting eye. Confirm that the opening is not elongated, widened, etc. The metal surrounding the eye should not be cracked, warped, etc.
- Labels: confirm that all labels (shown in “Label placement diagram” on p. 18) are present, undamaged and readable.

Label Placement Diagram

Welding carts should be labeled as shown below.



B (Label 728)

⚠ WARNING

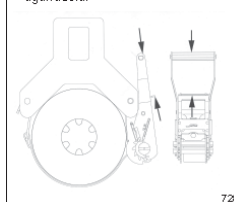
Mishandling or careless handling of compressed gas cylinders might result in serious personal injuries.

- Inspect winch, cable, cylinder cradle, ratchet and strap for damage or excessive wear before each use.
- DO NOT use if damaged.
- DO NOT leave a raised cylinder unattended or attempt to transport a raised cylinder. Cylinder should rest firmly on lifter base.
- DO NOT store cylinders on lifter.
- To release ratchet, squeeze release lever and swing handle.

⚠ AVISO

El uso incorrecto o el manejo de los cilindros de gas comprimidos pueden resultar en daños personales severos.

- Inspeccione la llave, el cable, la cuna del cilindro, y amarres por daños o uso excesivos antes de usarlos.
- NO USE si esta dañado.
- No deje el cilindro sin atención cuando este en la posición elevada. El cilindro tiene que estar firme sobre la base del levantador.
- No almacene los cilindros en la levantador.
- Para soltar el agarre, oprima la palanca de agarre y mear la agarradera.



728

C (Label 658)

⚠ WARNING	⚠ ADVERTENCIA	⚠ AVERTISSEMENT
Donot operate or move with unstable loads DO NOT LOAD beyond rated capacity DISTRIBUTE LOAD EVENLY DO NOT sit or ride	No use a mueva con cargas inestables No cargue mas de la capacidad tasada DISTRIBUYA LA CARGA A NIVEL NO SE SIENTE o vaya en el carro	Ne pas utiliser avec une charge instable NE PAS CHARGER au-delà du débit nominale DISTRIBUER la charge régulièrement NE PAS VOUS ASSEOIR OU VOUS PROMENER sur le chariot

D (Label 287)

MODEL/MODELO/MODELE _____

CAPACITY _____ lbs.

CAPACIDAD/CAPACITÉ _____ kgs.

SERIAL/SERIE/SÉRIE _____

VESTIL MANUFACTURING CORPORATION

sales@vestil.com • www.vestil.com

287
REV 03/08

LIMITED WARRANTY

Vestil Manufacturing Corporation (“Vestil”) warrants this product to be free of defects in material and workmanship during the warranty period. Our warranty obligation is to provide a replacement for a defective original part if the part is covered by the warranty, after we receive a proper request from the warrantee (you) for warranty service.

Who may request service?

Only a warrantee may request service. *You are a warrantee if* you purchased the product from Vestil or from an authorized distributor AND Vestil has been fully paid.

What is an “original part”?

An original part is a part used to make the product as shipped to the warrantee.

What is a “proper request”?

A request for warranty service is proper if Vestil receives: 1) a photocopy of the Customer Invoice that displays the shipping date; AND 2) a written request for warranty service including your name and phone number. Send requests by any of the following methods:

Mail
Vestil Manufacturing Corporation
2999 North Wayne Street, PO Box 507
Angola, IN 46703

Fax
(260) 665-1339
Phone
(260) 665-7586

Email
sales@vestil.com

In the written request, list the parts believed to be defective and include the address where replacements should be delivered.

What is covered under the warranty?

After Vestil receives your request for warranty service, an authorized representative will contact you to determine whether your claim is covered by the warranty. Before providing warranty service, Vestil may require you to send the entire product, or just the defective part or parts, to its facility in Angola, IN. The warranty covers defects in the following original dynamic components: motors, hydraulic pumps, electronic controllers, switches and cylinders. It also covers defects in original parts that wear under normal usage conditions (“wearing parts”), such as bearings, hoses, wheels, seals, brushes, and batteries.

How long is the warranty period?

The warranty period for original components is 90 days. The warranty period begins on the date when Vestil ships the product to the warrantee. If the product was purchased from an authorized distributor, the period begins when the distributor ships the product. Vestil may extend the warranty period for products shipped from authorized distributors by *up to* 30 days to account for shipping time.

If a defective part is covered by the warranty, what will Vestil do to correct the problem?

Vestil will provide an appropriate replacement for any covered part. An authorized representative of Vestil will contact you to discuss your claim.

What is not covered by the warranty?

1. Labor;
2. Freight;
3. Occurrence of any of the following, which automatically voids the warranty:
 - Product misuse;
 - Negligent operation or repair;
 - Corrosion or use in corrosive conditions;
 - Inadequate or improper maintenance;
 - Damage sustained during shipping;
 - Accidents involving the product;
 - Unauthorized modifications: DO NOT modify the product IN ANY WAY without first receiving written authorization from Vestil. Modification(s) might make the product unsafe to use or might cause excessive and/or abnormal wear.

Do any other warranties apply to the product?

Vestil Manufacturing Corp. makes no other express warranties. All implied warranties are disclaimed to the extent allowed by law. Any implied warranty not disclaimed is limited in scope to the terms of this Limited Warranty.

